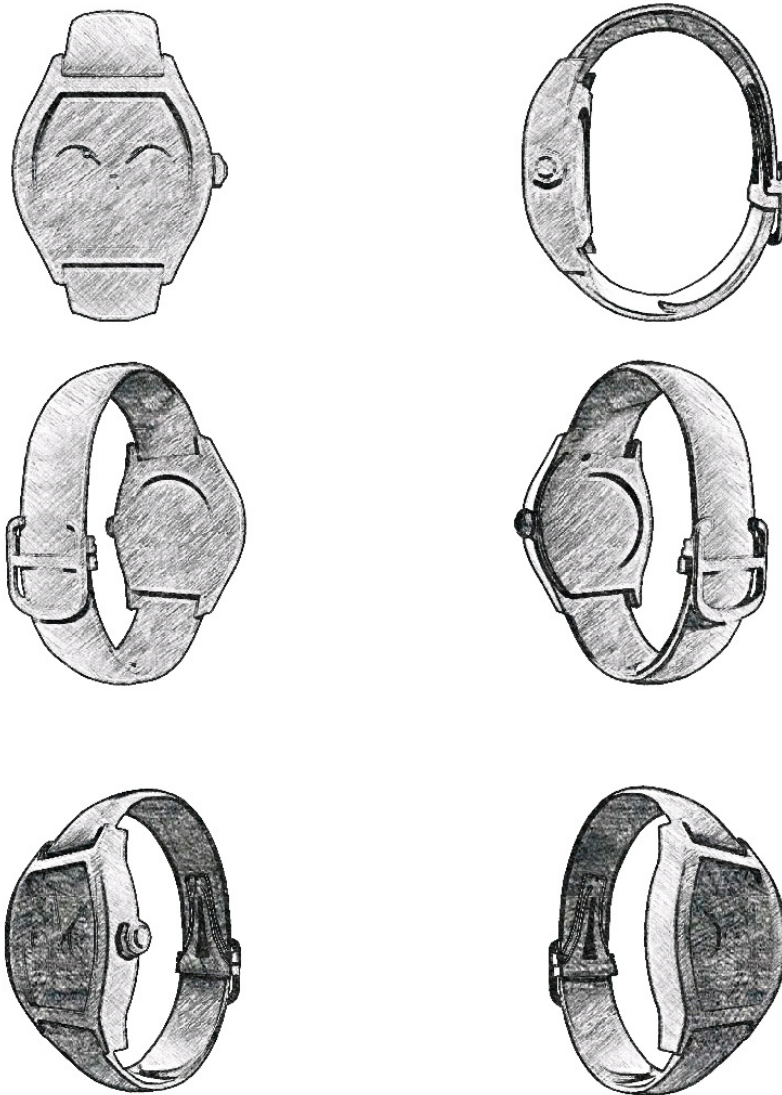


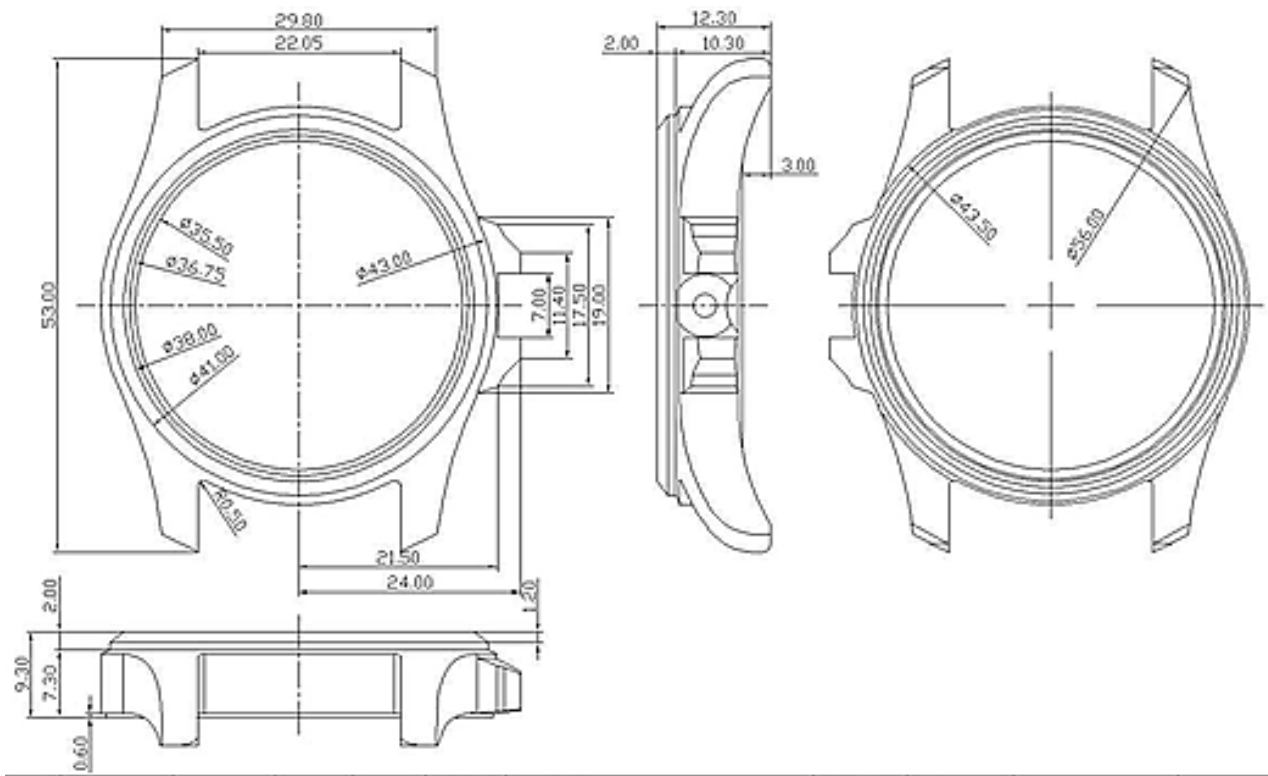
Required assets and information for 3D models to be created by AR-Watches

The following assets and information should be provided in order for ARLOOPA to create a 3D model:

- High resolution photos of your object shot from **different angles**, including but not limited to **frontal, profile, rear and close-ups**.



- Please provide the correct dimensions of your object as size matters.
- If possible please also provide the technical drawings of your objects, like the ones shown below:



- If your object contains text, please make sure to provide the correct font types.
- Whenever possible and applicable, please provide photos of the textures.

