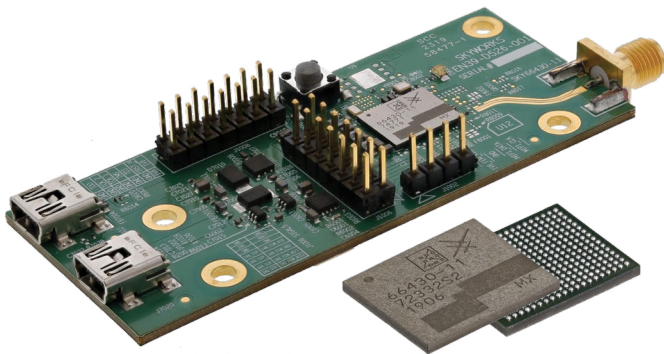




SKYWORKS®

World's Smallest 5G Massive IoT Solution SKY66430-11



Features

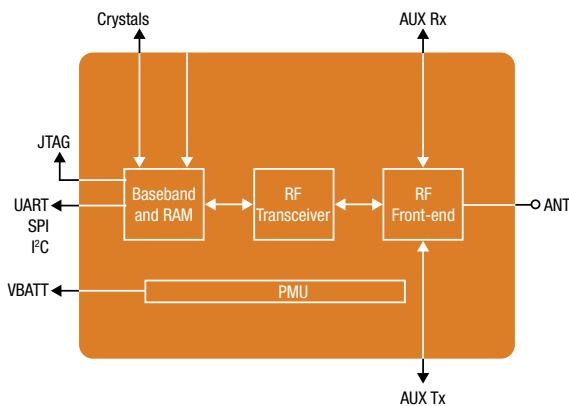
- Turnkey LTE-M/NB-IoT Solution Covering 18 Frequency Bands from 700 MHz-2.2 GHz
- Pre-certified with major MNOs, FCC / IC/ TELEC / ACMA, and GCF / PTCRB
- Best-in-class Deep Sleep Power Consumption of 1uA
- Low-power, Cloud-based Positioning over LTE
- Single 3.1 to 5.5 V Supply Operation
- Proprietary Conformal Shielding – Ag Free

Benefits

- Enables Overall Size Reduction
- Simplifies End Product Development
- Reduces Time to Market
- Ideal Solution for Harsh Environments
- Extends Battery Life

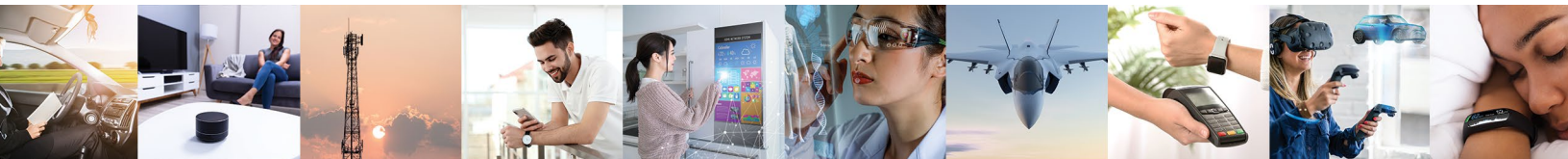
Applications

- Wearables
- Personal and Asset Trackers
- Security / Alarm Systems
- Industrial Monitoring
- Smart Metering
- Low-power IoT Devices



SKY66430-11 package size: 8.8 x 10.8 x 0.95 mm

For more information, please visit our website at www.skyworksinc.com.





SKY66430-11

Reference Design Partner



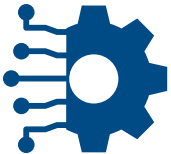
Skyworks, in partnership with Sequans, is enabling devices that will seamlessly connect to 5G IoT networks.

Winner of the IoT Semiconductor Product of the Year



In 2019, our SKY66430-11 5G Massive IoT system-in-package was named "IoT Semiconductor Product of the Year" by IoT Breakthrough. IoT Breakthrough is an independent organization that recognizes the top companies, technologies and products in the global IoT market. Skyworks was selected from more than 3,500 nominations representing companies all over the world and awards were evaluated by an autonomous panel of experienced IoT professionals.

Our Competitive Advantage



Systems Expertise



Advanced Packaging



Operational Scale

For more information, please visit our website at www.skyworksinc.com.

